



# HR100/200 Mk. 3 VENTILATION and HEAT RECOVERY SYSTEM USER INSTRUCTIONS

Publication No. ZZ 1065/1  
February 2001

## 1. HOW THE SYSTEM WORKS

Warm, humid, stale indoor air flows through the heat recovery unit before being discarded to outside. Cold incoming fresh air is heated by passing through the heat recovery unit before distribution to the various rooms via ducting. The unit is controlled by a fan speed control which varies the rate of extraction of stale air and supply of fresh air, and a switch to select between extraction of stale air with supply of warm fresh, and air extraction of stale air only.

### NOTE:

- 1.1 Care must be taken to ensure that flue gases from fuel burning equipment are not drawn into living areas.
- 1.2 If any room where air is extracted contains a fuel burning appliance such as a central heating boiler, then:
  - a) the flue must be of the room sealed or balanced flue type, or
  - b) allowance must be made for an adequate supply of air to the room.

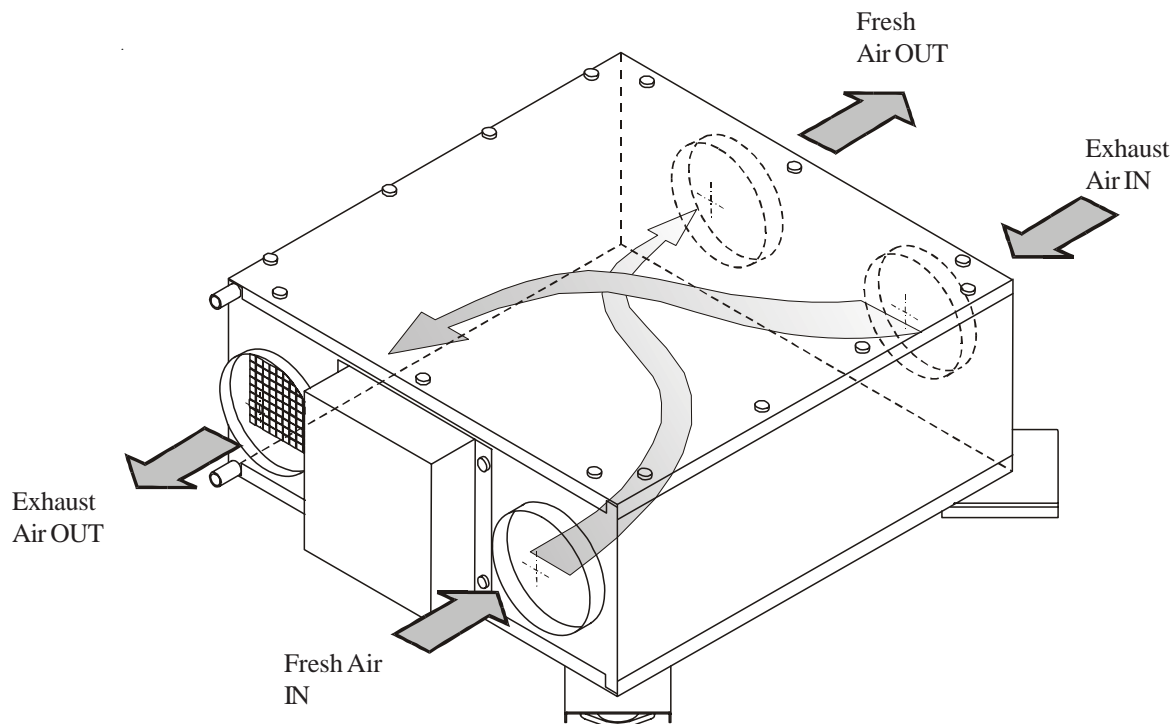
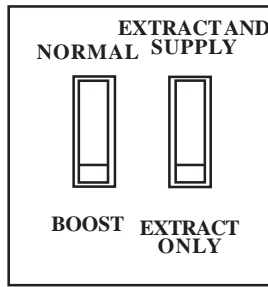


Fig. 1  
HR 100/200 Mk 3

## 2. HOW TO OPERATE THE SYSTEM

- 2.1 Turn the electrical supply on, then the unit will start to function.
- 2.2 Set the NORMAL/BOOST switch to the '**NORMAL**' position on the fan speed control, (see Fig. 2). The unit will now operate at the minimum ventilation rate.
- 2.3 To increase the ventilation rate (e.g. when cooking), set the NORMAL/BOOST switch to the '**BOOST**' position on the fan speed control.
- 2.4 **FOR EXTRACT ONLY:** Set the EXTRACT AND SUPPLY/EXTRACT ONLY switch to '**EXTRACT ONLY**'.
- 2.5 **TO TURN THE UNIT OFF:** Turn off the electrical supply to the unit.



**HR100/200 Mk.3  
SWITCH  
IDENTIFICATION**

**3. CLEANING**

3.1 **It is important that the following is observed on a monthly basis.**

3.1.1 Clean the extract filter and grilles. The grilles are push fit, which are simply pulled out and washed, and then pushed back into place. The integral filters are exposed when the grilles are removed.

3.2 When a cooker canopy extract is fitted, read the instructions provided with the canopy.

**4. MAINTENANCE**

4.1 Maintenance should be carried out by your installer, or your local authority contractor.

Johnson and Starley prides itself on its ability to supply spare parts quickly and efficiently. If your service engineer indicates a problem in obtaining a spare part, advise him to contact Johnson and Starley Spares Department at the address below.

Telephone: 01604 762881

Fax: 01604 767408

JOHNSON AND STARLEY Ltd.,  
Rhosili Road,  
Brackmills,  
Northampton, NN4 7LZ